

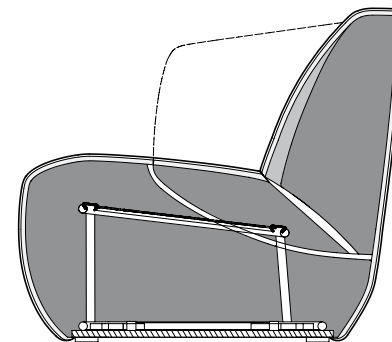
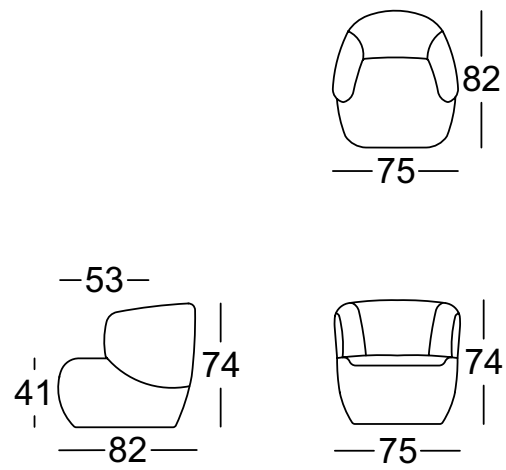
TECHNICAL DATA

ROLF BENZ 384

- Seat and back with foam-moulded metal inner frame, back with additional layer of soft foam
- Nosag spring support (Footstool without spring support)
- Seat cover quilted underneath with non-woven polyester
- Back upholstery covered with nonwoven polyester
- Base versions
 - round plastic-glide

! Wave formation and depressions in the seat area are unavoidable, due to comfort and design reasons, even in high quality Rolf Benz upholstered furniture. All measurements are approximate.

Armchair



**ROLF
BENZ**