

TECHNICAL DATA

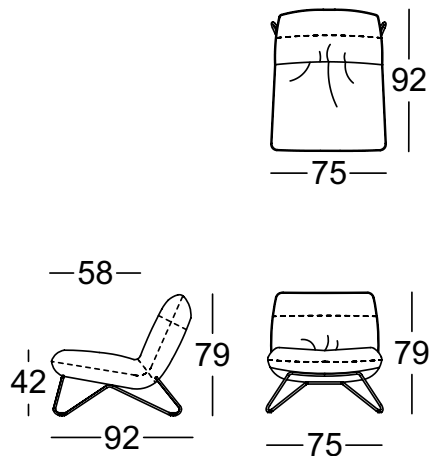
# ROLF BENZ 394

- Nosag spring support
- Body with foam-moulded metal inner frame
- Upholstery cover glued-on non-woven polyester
- Frame metal, optionally:
  - Smooth steel, powder-coated, matt:
  - Steel high-gloss chrome
- Footstool optionally down to the ground or metal base frame

! Wave formation and depressions in the seat area are unavoidable, due to comfort and design reasons, even in high quality Rolf Benz upholstered furniture. All measurements are approximate.



Armchair



**ROLF  
BENZ**